



YBTEXV9882

2x2 2.4/5GHz 11ac miniPCIe Radio

Revision:1.03 IL
Date: 2014.11.10

Features

- Qualcomm-Atheros QCA9882
- 2.4GHz max 19dBm & 5GHz max 18dBm output power (per chain)
- IEEE 802.11ac compliant & backward compatible with 802.11a/b/g/n
- 2X2 MIMO Technology & up to 867Mbps
- MiniPCI Express 1.1 interface
- Supports Spatial Multiplexing, Cyclic-Delay Diversity (CDD), low-density parity check (LDPC), Maximal Ratio Combining (MRC), Space Time Block Code (STBC)
- Supports IEEE 802.11d, e, h, I, k, RO, v time stamp, and w standards
- Supports Dynamic Frequency Selection (DFS)
- Cards are individually calibrated for Quality Assurance
- Supported by either CompexWRT with Atheros Reference Wireless Driver OR OpenWRT with ath10k Wireless Driver on WPJ344

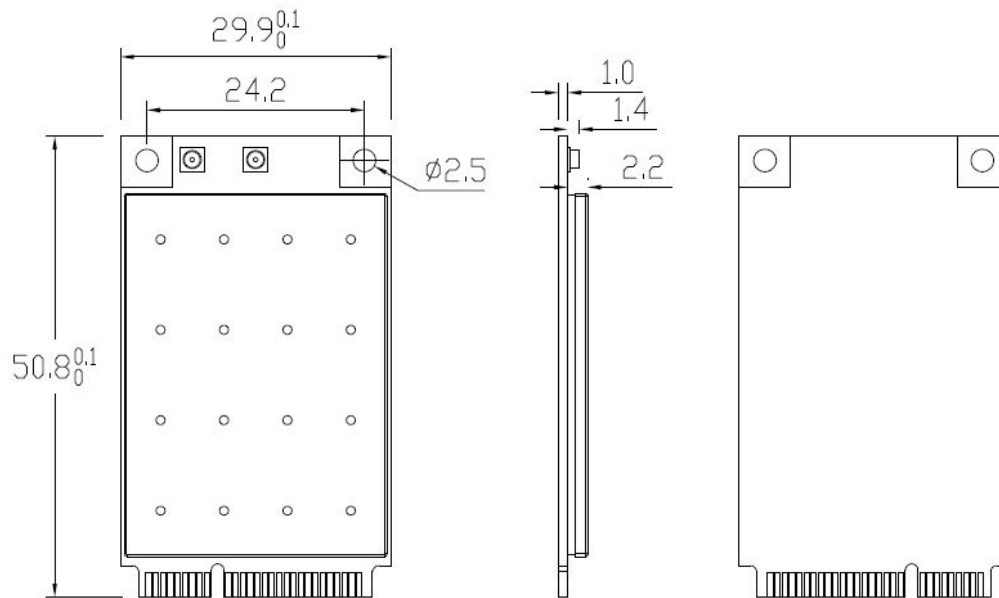
Applications

- Indoor AP
- Outdoor AP
- 802.11ac/abgn CPE
- 802.11ac/abgn Point to Point

Technical Specifications

System Information							
Chipset	QCA9882						
Host Interface	PCI-Express 1.1 Standard						
Operating Voltage	3.3 VDC						
Power Consumption	3.5W						
Antenna Connector	2 x U.F L						
Frequency Range	5.180 ~ 5.825 GHz						
Modulation Techniques	OFDM: BPSK, QPSK, 16-QAM, 64-QAM, 256-QAM						
RoHS Compliance	Yes						
Temperature Range	Operating: -20°C to 70°C; Storage: -40°C to 90°C						
Humidity	Operating: 5% to 95% (non-condensing) Storage: Max. 90% (non-condensing)						
Dimensions (mm)	50.95 x 30 x 3.2 (H x W x D)						
Band	TX Specifications				RX Specifications		
	Data Rate	TX Power (per chain)	TX Power (2 chains)	Tolerance	Data Rate	Sensitivity	Tolerance
802.11bg	6-24Mbps	19dBm	22dBm	±2dB	6Mbps	-94dBm	±2dB
	36Mbps	17dBm	20dBm	±2dB	36Mbps	-86dBm	±2dB
	48Mbps	17dBm	20dBm	±2dB	48Mbps	-82dBm	±2dB
	54Mbps	15dBm	18dBm	±2dB	54Mbps	-80dBm	±2dB
2.4GHz 11n HT20	MCS 0	19dBm	22dBm	±2dB	MCS 0	-94dBm	±2dB
	MCS 1	19dBm	22dBm	±2dB	MCS1	-94dBm	±2dB
	MCS 2	19dBm	22dBm	±2dB	MCS2	-92dBm	±2dB
	MCS 3	18dBm	21dBm	±2dB	MCS 3	-88dBm	±2dB
	MCS 4	18dBm	21dBm	±2dB	MCS 4	-84dBm	±2dB
	MCS 5	18dBm	21dBm	±2dB	MCS 5	-81dBm	±2dB
	MCS 6	15dBm	18dBm	±2dB	MCS 6	-78dBm	±2dB
	MCS 7	13dBm	16dBm	±2dB	MCS 7	-77dBm	±2dB
2.4GHz 11n HT40	MCS 0	18dBm	21dBm	±2dB	MCS 0	-93dBm	±2dB
	MCS 1	18dBm	21dBm	±2dB	MCS1	-91dBm	±2dB
	MCS 2	18dBm	21dBm	±2dB	MCS2	-90dBm	±2dB
	MCS 3	17dBm	20dBm	±2dB	MCS 3	-85dBm	±2dB
	MCS 4	17dBm	20dBm	±2dB	MCS 4	-82dBm	±2dB
	MCS 5	17dBm	20dBm	±2dB	MCS 5	-78dBm	±2dB
	MCS 6	15dBm	18dBm	±2dB	MCS 6	-77dBm	±2dB
	MCS 7	13dBm	16dBm	±2dB	MCS 7	-75dBm	±2dB
802.11a	6-24Mbps	18dBm	21dBm	±2dB	6Mbps	-94dBm	±2dB
	36Mbps	17dBm	20dBm	±2dB	36Mbps	-86dBm	±2dB
	48Mbps	16dBm	19dBm	±2dB	48Mbps	-82dBm	±2dB
	54Mbps	15dBm	18dBm	±2dB	54Mbps	-80dBm	±2dB
5GHz 11an/ac HT20	MCS0	18dBm	21dBm	±2dB	MCS0	-93dBm	±2dB
	MCS1	18dBm	21dBm	±2dB	MCS1	-91dBm	±2dB
	MCS2	18dBm	21dBm	±2dB	MCS2	-90dBm	±2dB
	MCS3	17dBm	20dBm	±2dB	MCS3	-85dBm	±2dB
	MCS4	17dBm	20dBm	±2dB	MCS4	-82dBm	±2dB
	MCS5	14dBm	17dBm	±2dB	MCS5	-78dBm	±2dB
	MCS6	13dBm	16dBm	±2dB	MCS6	-77dBm	±2dB
	MCS7	13dBm	16dBm	±2dB	MCS7	-75dBm	±2dB
	MCS8	12dBm	15dBm	±2dB	MCS8	-73dBm	±2dB
	MCS9	12dBm	15dBm	±2dB	MCS9	-71dBm	±2dB
5GHz 11n/ac HT40	MCS0	18dBm	21dBm	±2dB	MCS0	-93dBm	±2dB
	MCS1	18dBm	21dBm	±2dB	MCS1	-91dBm	±2dB
	MCS2	18dBm	21dBm	±2dB	MCS2	-90dBm	±2dB
	MCS3	16dBm	19dBm	±2dB	MCS3	-85dBm	±2dB
	MCS4	16dBm	19dBm	±2dB	MCS4	-82dBm	±2dB
	MCS5	13dBm	16dBm	±2dB	MCS5	-78dBm	±2dB
	MCS6	12dBm	15dBm	±2dB	MCS6	-77dBm	±2dB
	MCS7	12dBm	15dBm	±2dB	MCS7	-75dBm	±2dB
	MCS8	11dBm	15dBm	±2dB	MCS8	-73dBm	±2dB
	MCS9	11dBm	15dBm	±2dB	MCS9	-71dBm	±2dB
5GHz11ac HT80	MCS0	18dBm	21dBm	±2dB	MCS0	-89dBm	±2dB
	MCS1	18dBm	21dBm	±2dB	MCS1	-88dBm	±2dB
	MCS2	18dBm	21dBm	±2dB	MCS2	-85dBm	±2dB
	MCS3	15dBm	18dBm	±2dB	MCS3	-81dBm	±2dB
	MCS4	15dBm	18dBm	±2dB	MCS4	-79dBm	±2dB
	MCS5	12dBm	15dBm	±2dB	MCS5	-75dBm	±2dB
	MCS6	11dBm	14dBm	±2dB	MCS6	-74dBm	±2dB
	MCS7	11dBm	14dBm	±2dB	MCS7	-72dBm	±2dB
	MCS8	10dBm	13dBm	±2dB	MCS8	-70dBm	±2dB
	MCS9	10dBm	13dBm	±2dB	MCS9	-68dBm	±2dB

Dimension Drawing



Ordering Information

Item Code	Chipset	Form factor	Card Informations
YBTEXV9882	Atheros 9882	Full size	2x2 802.11ac 2.4G/5G PCIe mini card
Carton Dimension	Dimension	Weight	Dimensional Weight
Packing BOX (50pcs)	385*207*76mm	0.677 kg	1.5 Kg
Packing BOX (250pcs)	422*405*230mm	4.233 kg	8.5 Kg